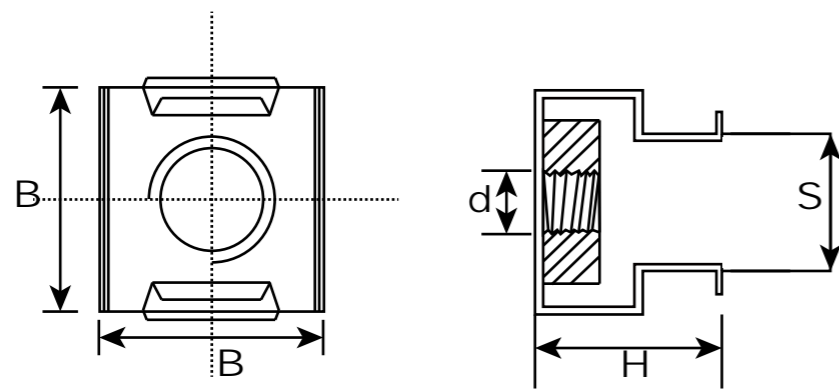
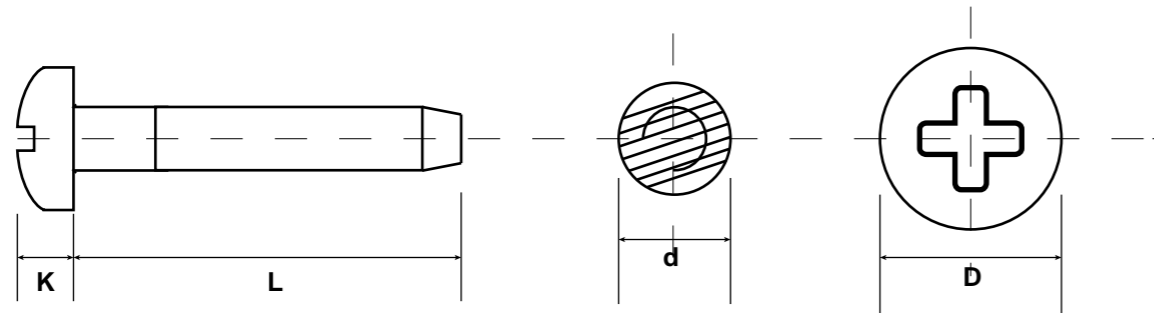


Cage nut



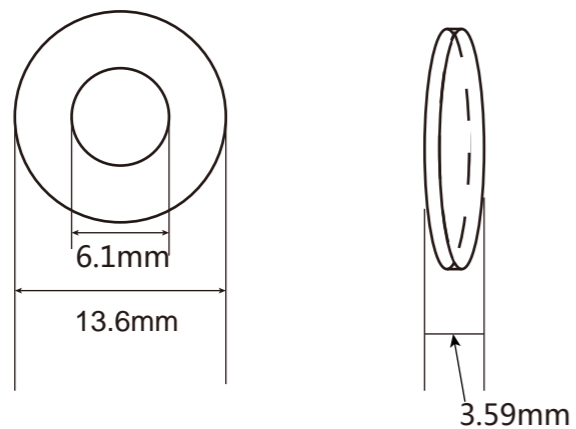
Product	d	B	H	S
M5	5mm	13mm	9.35mm	8.45mm

Screw



Product	d	K	L	D
M5	5mm	3.55mm	16mm	9.5mm

Washer



NAME	VALUE Screw M5*16+washer+M5 cage nut, 100set /bag			
ITEM No.	26.99.0001		TOLERANCE X. ±1.00 X.X ±0.50	
APPROVE BY	CHECK BY	DRAW BY	SCALE	MM
			PAGE	1/1