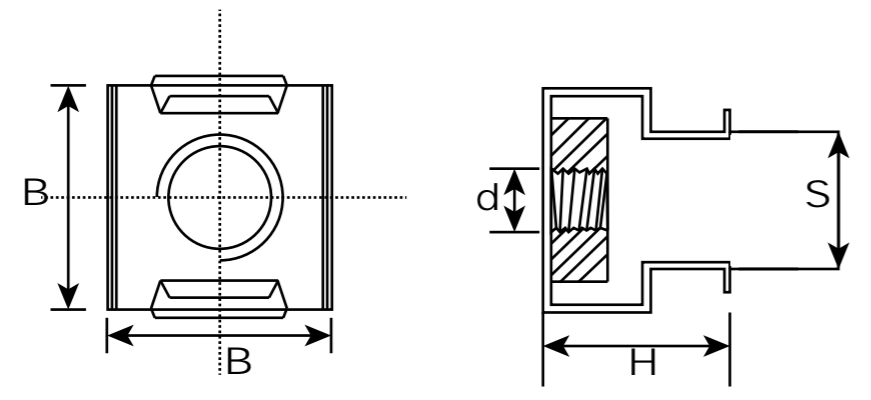


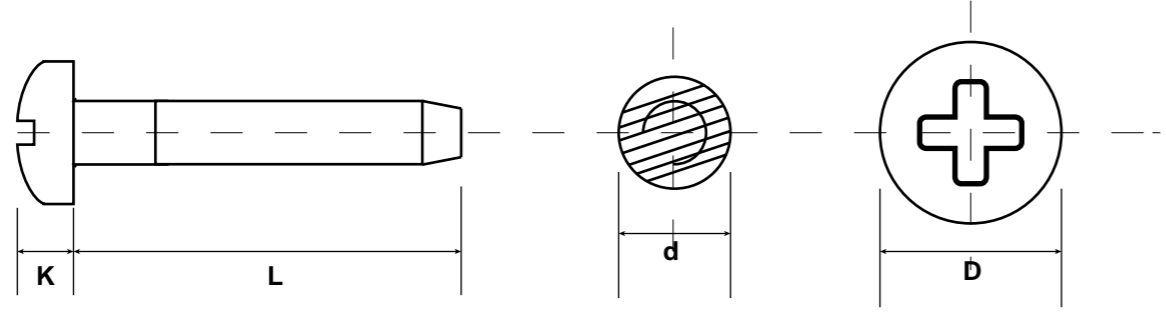
| | | |
|------------------|------------|------|
| FILE AMEND NOTE | DATE | REV. |
| ORIGINAL EDITION | 2019/01/04 | A/0 |
| REVISED DATE | 2019/03/18 | |

Cage nut



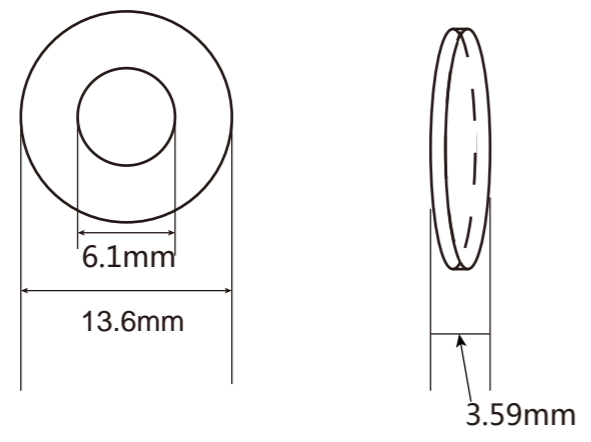
| Product | d | B | H | S |
|---------|-----|------|--------|--------|
| M6 | 6mm | 13mm | 9.35mm | 8.45mm |

Screw



| Product | d | K | L | D |
|---------|-----|--------|------|--------|
| M6 | 6mm | 4.49mm | 16mm | 11.9mm |

Washer



| | | | | |
|------------|----------|---|------------------------------------|-----|
| NAME | | VALUE Screw M6*16+washer+M6 cage nut, 100 set/bag | | |
| ITEM No. | | 26.99.0000 | TOLERANCE X. ±1.00 X.X ±0.50 | |
| APPROVE BY | CHECK BY | DRAW BY | SCALE | MM |
| | | | PAGE | 1/1 |